

APPLICATION:

PRODUCT NAME:  
1/2" SLIP JOINT KIT

JOB NAME:

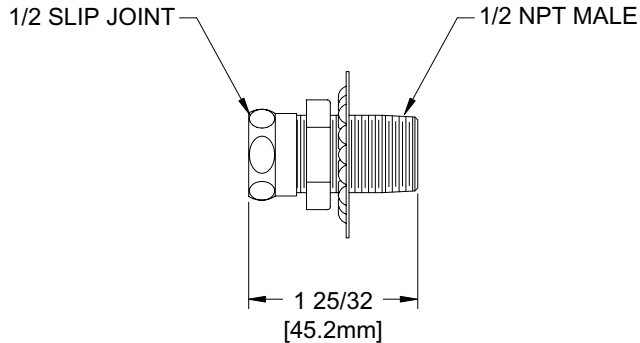
\_\_\_\_\_ SPECIAL CONFIGURATION  
(CHECK BASE MODEL AND OPTIONS)

QUANTITY:

ITEM NO.

MODEL:  
 2200-0000 1/2" SLIP JOINT KIT

OPTIONS OR MODIFICATIONS  
 OTHER \_\_\_\_\_



FEATURES:

SYSTEM LIMITS  
\* TEMP: 40°F MIN. TO 140°F MAX. STATIC  
\* PRESSURE 200 PSI MAX. STATIC

SHIPPING WEIGHT  
\* 0.25 LBS

ANSI/A112.18.1M



FISHER MANUFACTURING COMPANY  
TOLL FREE: 800-421-6162 - FAX: 800-832-8238  
information@fisher-mfg.com - www.fisher-mfg.com